

200

PANEL MOUNT INDICATOR



Integrates Seamlessly Into System Applications

- Simple 2 Screw - Side Slide Mounting Assembly
- Pluggable / Screw-terminal Block for Easy Connectivity
- 3/16 DIN Aluminum Panel Mount Enclosure
- Two Serial Ports
- External Inputs
- Supports Eight 350 Ohm Load Cells
- Analog Output Option

Model 200

PANEL MOUNT INDICATOR

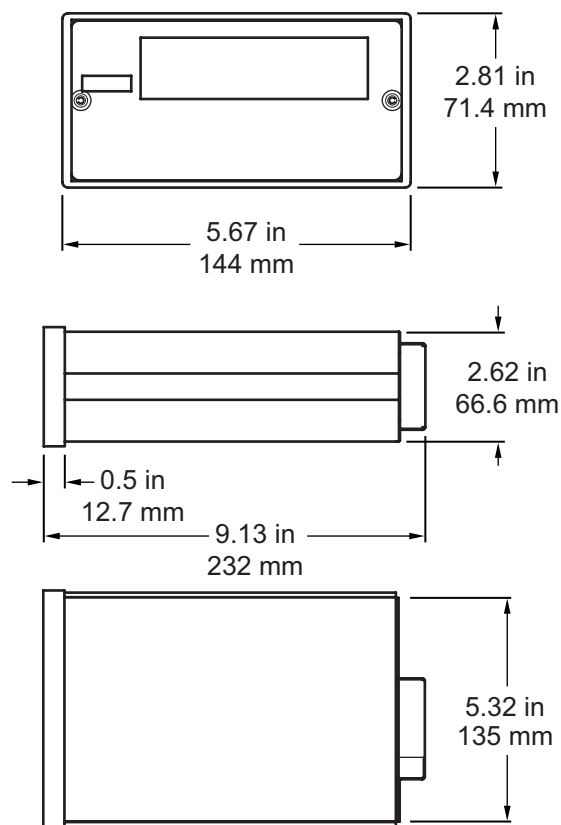
Cardinal's Model 200 Panel Mount Digital Weight Indicator takes up little space, but provides exceptional functionality. Engineered to adapt easily to your system design, the versatile 200 features input control lines for remote activation of zero, acquire tare, gross and print functions; seven weight units; push-button tare; gross, tare, net conversion, and more.

The 200 has a tough sealed-membrane keypad for years of dependable use and selectable key lock to help reduce keystroke errors. Cardinal also includes two serial ports for connectivity to a remote display, printer, or PC, and these peripheral devices can be easily connected using the screw-terminal block.



Construction	Display	6-digit, 7-segment LED 14 mm/0.6 in high
	Enclosure	Aluminum extrusion
	Keypad	7 keys, color coded membrane
	Annunciators	Zero, stable, tare, gross, net, lb, oz, kg, g, t, T
Units	Pounds, pounds/ounces, ounces, tons, kilograms, grams, metric tons	
Division Value	1 to 99 x 10, 1, 0.1, 0.01, 0.001	
Sample Rate	1 to 100 samples per second, selectable	
Load Cells	8 each, 350 ohm minimum resistance	
Excitation	12 VDC	
Power	15v, 1 amp with 90 to 260 VAC 50/60 Hz plug-in power supply	
Temperature Range	-10 to +40 °C / +14 to +104 °F	
I/O	1 bidirectional RS232 (20mA) 1 output only RS232 (20mA) Optional analog output	

	Sensitivity	Resolution
Non-Commercial	n/a	240,000
NTEP	NTEP 0.3µV/e (Class III/IIIL)	NTEP 10,000 (Class III/IIIL)
Canada	Canada 0.3µV/e (Class III/IIHHD)	Canada 10,000 (Class III/IIHHD)
OIML	OIML 0.7µV/e (Class III)	OIML 10,000 (Class III)



Cardinal Scale reserves the right to improve, enhance or modify features and specifications without prior notice. All registered trademarks are the property of their respective owners.

Cardinal
Cardinal Scale Manufacturing Co.
203 E. Daugherty, Webb City, MO 64870 USA
Ph: 417-673-4631 or 800-441-4237 • Fax: 417-673-5001
www.CardinalScale.com

SOLD BY: