

SMART CELL[®]

DIGITAL LOAD CELLS

HEAVY-CAPACITY
LOAD CELL
WEIGHING SYSTEMS



ANALOG LOAD CELL

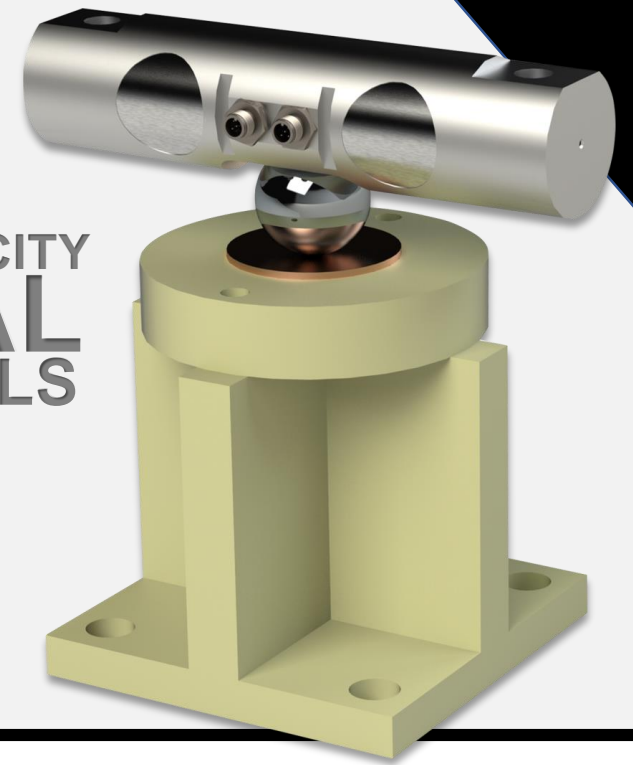


 **Cardinal**[®]
www.CardinalScale.com

SMARTCELL[®]
DIGITAL LOAD CELLS

SCBD

HEAVY-CAPACITY
DIGITAL
LOAD CELLS



DC

HEAVY-CAPACITY
DIGITAL COMPRESSION
LOAD CELLS



ANALOG LOAD CELL

AC

HEAVY-CAPACITY
ANALOG COMPRESSION
LOAD CELLS



 **Cardinal**[®]
www.CardinalScale.com

DC

HEAVY-CAPACITY DIGITAL COMPRESSION LOAD CELLS



- Vehicle weighing, tank/hopper weighing
- Digital compression load cell with self-centering column
- Cloud-based monitoring convenience
- Stainless steel IP69K protection rating
- No junction box connections necessary
- Anti-rotation system



SMARTCELL[®]
DIGITAL LOAD CELLS

Cardinal[®]
www.CardinalScale.com

DC

HEAVY-CAPACITY DIGITAL COMPRESSION LOAD CELLS



Cardinal Scale's DC series kits provide all the electronics necessary for a digital truck scale, minus the weighbridge.



225D



DC Load Cell



0330-0443-08

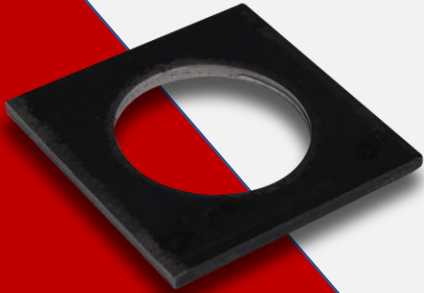


0330-0065-08



0330-0066-08

0146-B020-08



225-DLC



825-DLC



0330-0067-08



6610-1307

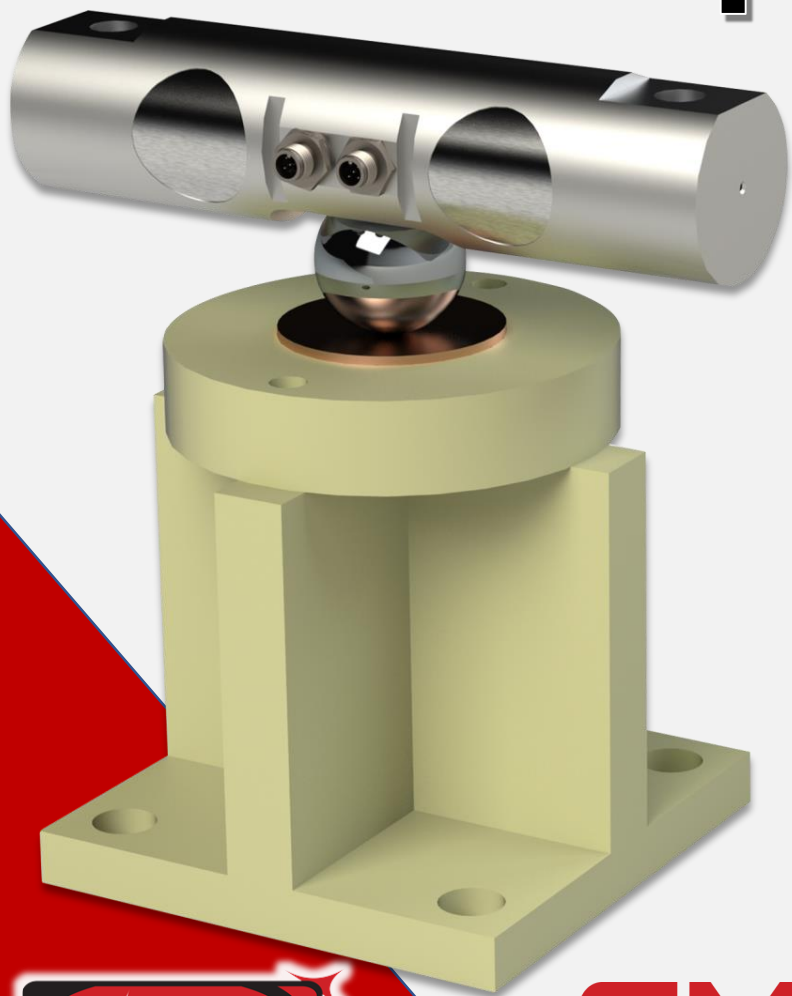


6610-1308



SCBD

HEAVY-CAPACITY DIGITAL LOAD CELLS



- Double-ended shear beam digital load cells
- High-capacity vehicle weighing
- Self-checking capabilities allow the scale to operate without bumper bolts or checkrods
- Cloud-based monitoring convenience
- Stainless steel IP69K protection rating
- No junction box connections necessary



SMARTCELL[®]
DIGITAL LOAD CELLS

Cardinal[®]
www.CardinalScale.com

SCBD

HEAVY-CAPACITY DIGITAL LOAD CELLS



225D



SCBD Load Cell



0330-0065-08



axis® Load Cell Stand



225-DLC



0330-0065-08

0330-0443-08



825-DLC

0330-0067-08



6610-1307



6610-1308

Cardinal Scale's SCBD series kits provide all the electronics necessary for a digital truck scale, minus the weighbridge.



SCBD | HEAVY-CAPACITY DIGITAL LOAD CELLS

Self-Checking Digital Double-Ended Shear Beam Load Cells

- 34,000 kg / 75,000 lb and 45,000 kg / 100,000 lb capacities available
- OIML and NTEP certified for international use



DC | HEAVY-CAPACITY DIGITAL COMPRESSION LOAD CELLS

Anti-Rotation, Digital Compression Load Cells

- 50,000-lb/22,700-kg and 100,000-lb/45,000-kg capacities available
- OIML certified for international use



SCBD | HEAVY-CAPACITY DIGITAL LOAD CELLS

DC | HEAVY-CAPACITY DIGITAL COMPRESSION LOAD CELLS

- System supports up to 32 digital load cells
- Homerun cable uses standard cable and can be 300 meters in length
- Standard (load cell to load cell) cable lengths – 15 ft / 4.5 m, 27 ft / 8.2 m, and 37 ft / 11.2 m cable lengths available
- Hermetically-welded, protection class IP69K
- Lightning protection



SMARTCELL[®]
DIGITAL LOAD CELLS

Cardinal[®]
www.CardinalScale.com

iSITE **REMOTE MONITORING**

For SmartCell[®] Digital Load Cells

**24/7 SCALE
MONITORING
CONVENIENCE**



My Cardinal Sites

16² Normal Sites | 60⁰ Warning Count | 147¹ Error Count

Site Selection

Customer	Site	City	State	Scale	Status
Ag Tech Customer	Silo 1	Atlanta	GA	Northbound Scale	E
Silverbank Aggregate Customer	Rock Quarry 1	Joplin	MO	Southbound Scale	N
Allico Ag Industries Customer	Silo 2	Kansas City	KS	Scale #3	N
Worldpoint Waste Co. Customer	Transfer Station 1	Jacksonville	MS	Scale #1	N
Omega Quarry Customer	Rock Quarry 2	Joplin	MO	Scale #1	N

Recent Activity

Date	Message
12/15/2017	Went out to the scale on Tuesday and used NEST to review load cell #3
11/2/2017	Calibrated scale - ran NEST prior to calibration
10/19/2017	Sent tech to job site to check homerun cable connection after lightning strike
8/5/2017	Called customer to check in about weight readings
4/27/2017	Replaced load cell #8

My Cardinal Sites

16² Normal Sites | 60⁰ Warning Count | 147¹ Error Count

Site Selection

Customer	Site	City	State	Scale	Status
Ag Tech Customer	Silo 1	Atlanta	GA	Northbound Scale	E
Silverbank Aggregate Customer	Rock Quarry 1	Joplin	MO	Southbound Scale	N
Allico Ag Industries Customer	Silo 2	Kansas City	KS	Scale #3	N
Worldpoint Waste Co. Customer	Transfer Station 1	Jacksonville	MS	Scale #1	N
Omega Quarry Customer	Rock Quarry 2	Joplin	MO	Scale #1	N

Recent Activity

Date	Message
12/15/2017	Went out to the scale on Tuesday and used NEST to review load cell #3
11/2/2017	Calibrated scale - ran NEST prior to calibration
10/19/2017	Sent tech to job site to check homerun cable connection after lightning strike
8/5/2017	Called customer to check in about weight readings
4/27/2017	Replaced load cell #8

Cardinal DETECTO

203 East Daugherty Street
Webb City, MO 64470

Customer Service
(800) 441-4237
cardinal@cardet.com

Parts Department
(800) 841-2045
parts@cardet.com

Technical Support
(856) 254-9281
tech@cardet.com

© 2017 Cardinal Detecto Scale. All Rights Reserved



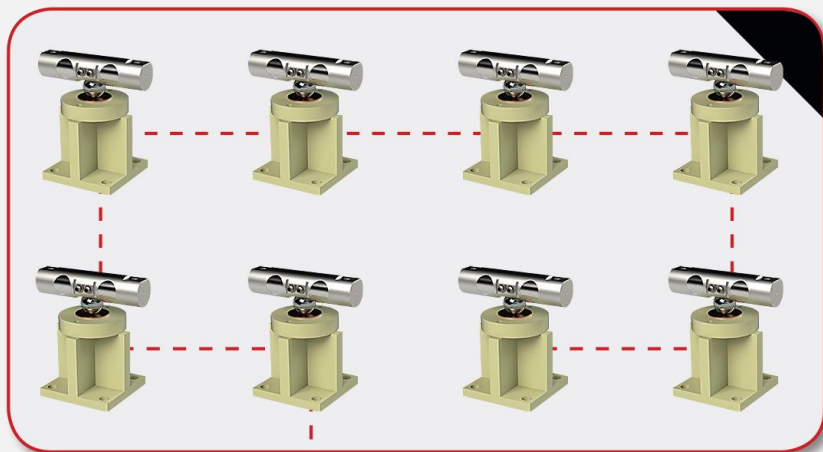
SMARTCELL[®]
DIGITAL LOAD CELLS

Cardinal[®]
www.CardinalScale.com

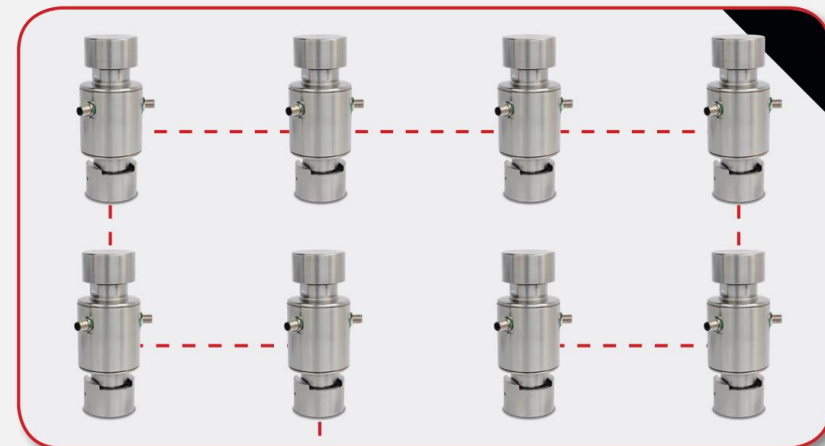
SCBD | HEAVY-CAPACITY
DIGITAL
LOAD CELLS

DC | HEAVY-CAPACITY
DIGITAL COMPRESSION
LOAD CELLS

Digital Solutions Allow Customers to Plan for Expansion



System Supports Up to 32 Load Cell Max Limit



System Supports Up to 32 Load Cell Max Limit

**Cardinal Scale Digital Weighing Systems
Can Adapt As Your Project Develops**



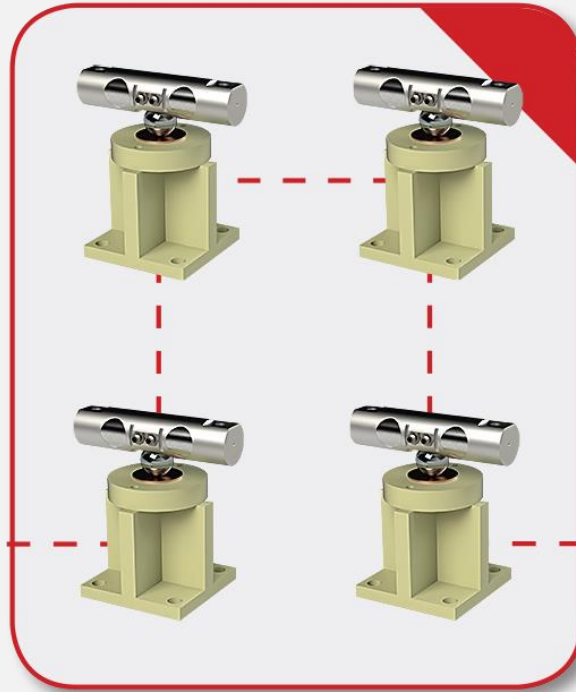
SCBD

HEAVY-CAPACITY
DIGITAL
LOAD CELLS

DC

HEAVY-CAPACITY
DIGITAL COMPRESSION
LOAD CELLS

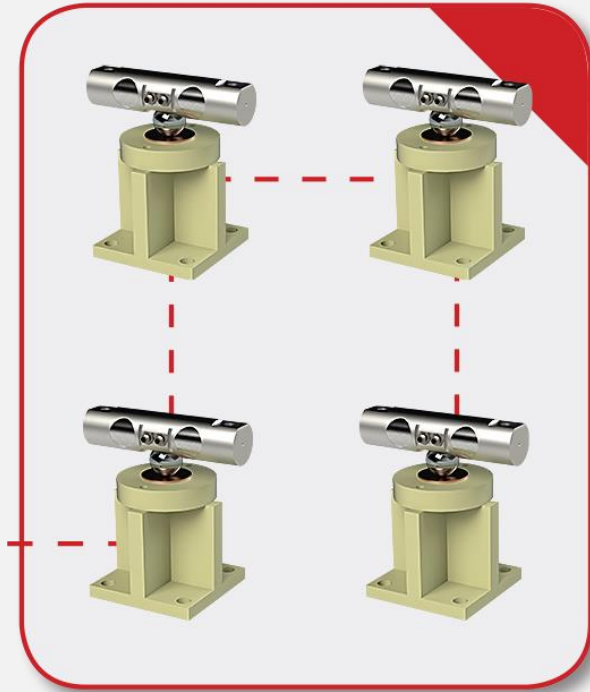
Digital Solutions Allow Customers to Plan for Expansion



Scale 1



Scale 2



Scale 3



SMARTCELL®

DIGITAL LOAD CELLS



SCBD | HEAVY-CAPACITY DIGITAL LOAD CELLS

DC | HEAVY-CAPACITY DIGITAL COMPRESSION LOAD CELLS

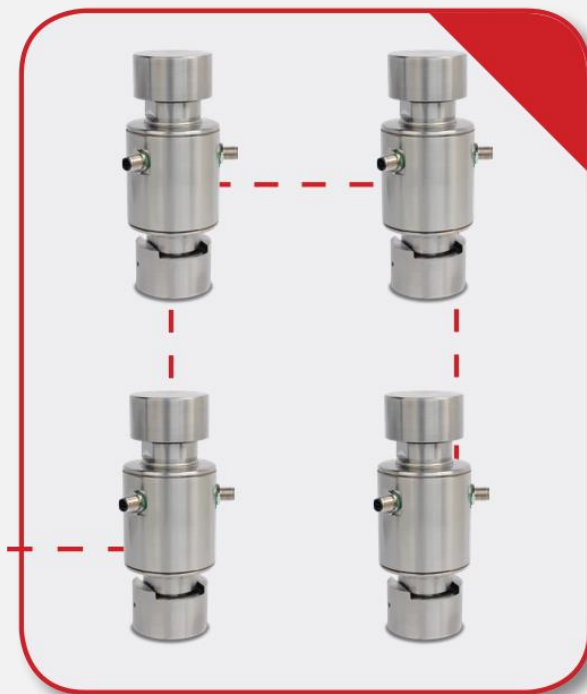
Digital Solutions Allow Customers to Plan for Expansion



Scale 1



Scale 2



Scale 3



SMARTCELL®

DIGITAL LOAD CELLS

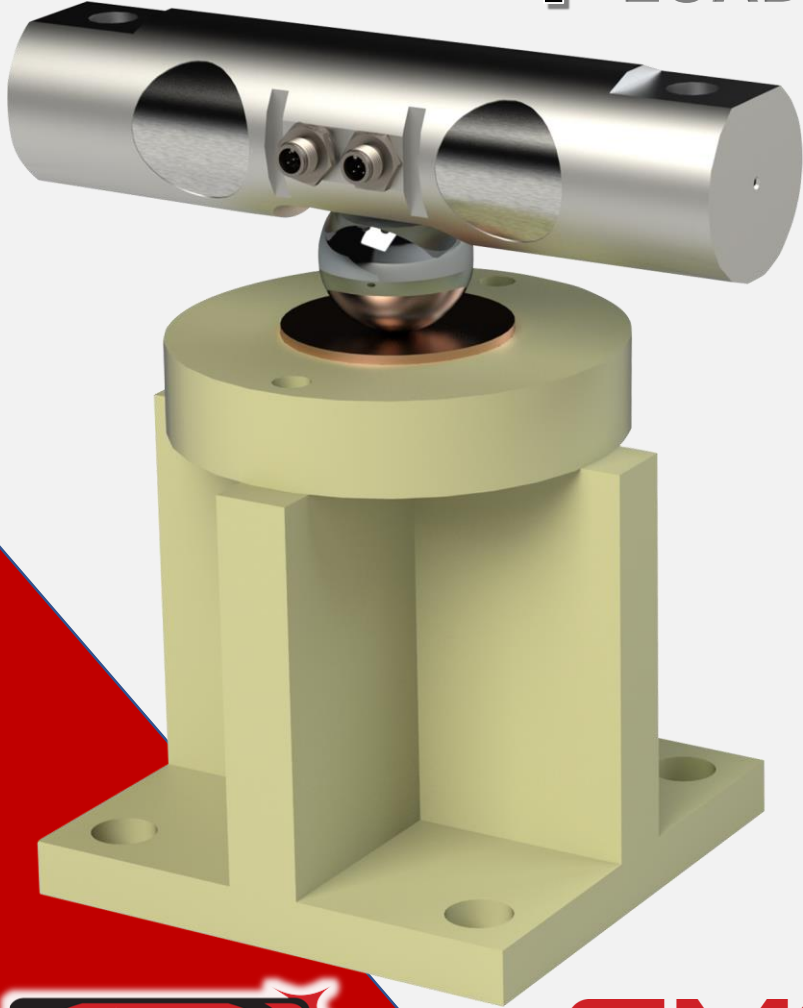


SCBD

HEAVY-CAPACITY
DIGITAL
LOAD CELLS

DC

HEAVY-CAPACITY
DIGITAL COMPRESSION
LOAD CELLS



Advantages of Digital Load Cells

- SmartCell® installation setup and maintenance is greatly simplified over older analog systems.
- Diagnostics are easy to perform, even for novice technicians new to the scale industry.
- The SmartCell® digital system detects and diagnoses faults and failures more quickly, efficiently, and precisely.



SMARTCELL®
DIGITAL LOAD CELLS

Cardinal®
www.CardinalScale.com

SCBD

HEAVY-CAPACITY
DIGITAL
LOAD CELLS

DC

HEAVY-CAPACITY
DIGITAL COMPRESSION
LOAD CELLS



Advantages of Digital Load Cells

- Load cell level diagnostics allow for troubleshooting directly through Cardinal indicators.
- SmartCell® iSite diagnostic software sends cell failure notifications to scale technicians.
- Simplified wiring system and no junction box eliminates problems associated with traditional analog load cell systems.



SMARTCELL®
DIGITAL LOAD CELLS

Cardinal®
www.CardinalScale.com

SCBD

HEAVY-CAPACITY
DIGITAL
LOAD CELLS

DC

HEAVY-CAPACITY
DIGITAL COMPRESSION
LOAD CELLS



Advantages of Digital Load Cells

- Scale productivity is increased due to expedited diagnosis.
- Costs associated with inspections are greatly reduced.
- SmartCell[®] issues can be diagnosed from a remote location.
- SmartCell[®] load cells offer the same industry-leading lightning protection that is featured in Cardinal weight indicators.



SMARTCELL[®]
DIGITAL LOAD CELLS

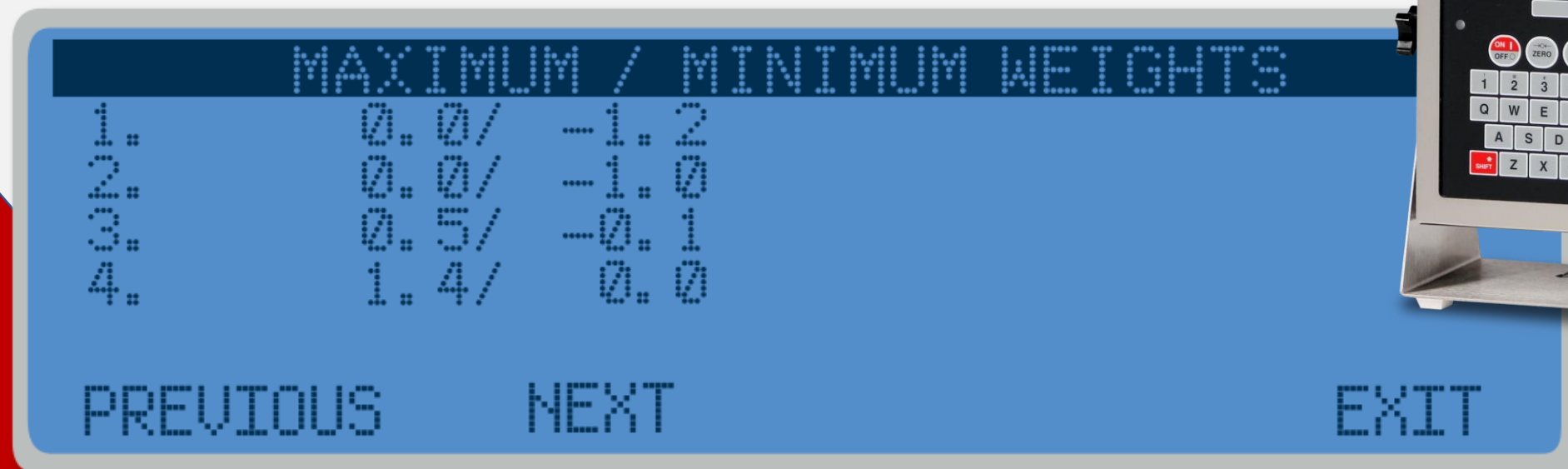
Cardinal[®]
www.CardinalScale.com

SCBD | HEAVY-CAPACITY
DIGITAL
LOAD CELLS

DC | HEAVY-CAPACITY
DIGITAL COMPRESSION
LOAD CELLS

On-Screen Indicator Diagnostic Menu Eases Troubleshooting

MINIMUM AND MAXIMUM WEIGHTS (This can be zeroed as needed)



SMARTCELL[®]
DIGITAL LOAD CELLS

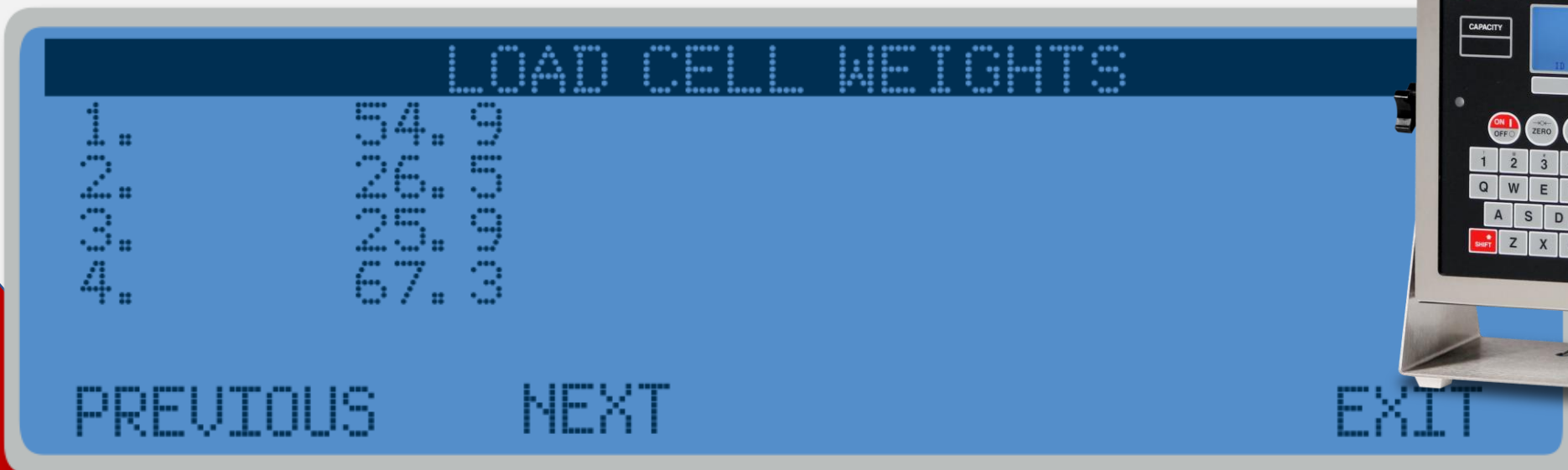
Cardinal[®]
www.CardinalScale.com

SCBD | HEAVY-CAPACITY
DIGITAL
LOAD CELLS

DC | HEAVY-CAPACITY
DIGITAL COMPRESSION
LOAD CELLS

On-Screen Indicator Diagnostic Menu Eases Troubleshooting

LIVE LOAD CELL WEIGHTS



SMARTCELL[®]
DIGITAL LOAD CELLS

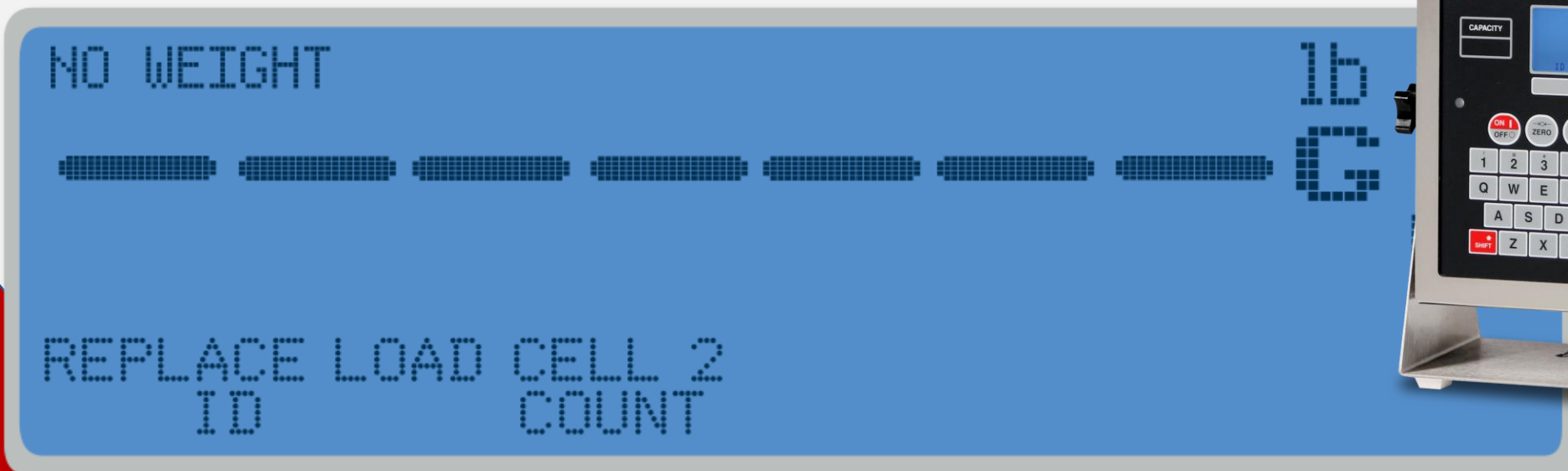
Cardinal[®]
www.CardinalScale.com

SCBD | HEAVY-CAPACITY
DIGITAL
LOAD CELLS

DC | HEAVY-CAPACITY
DIGITAL COMPRESSION
LOAD CELLS

On-Screen Indicator Diagnostic Menu Eases Troubleshooting

LOAD CELL DAMAGED



SMARTCELL[®]
DIGITAL LOAD CELLS

Cardinal[®]
www.CardinalScale.com

AC

HEAVY-CAPACITY ANALOG COMPRESSION LOAD CELLS



- High-capacity vehicle weighing, tank/hopper weighing
- Heavy-duty compression load cells with self-centering column
- Interchangeable with Cardinal Scale SCA load cells
- Stainless steel, weatherproof junction boxes
- Anti-rotation system
- Stainless steel IP69K protection rating



AC

HEAVY-CAPACITY ANALOG COMPRESSION LOAD CELLS

Anti-Rotation Compression Load Cells for High-Capacity Weighing Systems

- 50,000-lb/22,700-kg capacity (model AC-50K) and 100,000-lb/45,000-kg capacity (model AC-100K) available
- Simple to install
- Digital weight indicators and remote displays also available from Cardinal Scale to complete your weighing system
- Extra-robust upper and lower cups for optimal weighbridge support and stability
- Hermetically-welded, protection class IP69K
- Durable stainless steel construction
- OIML and NTEP certified for international use



AC

HEAVY-CAPACITY ANALOG COMPRESSION LOAD CELLS



225D



0330-D429-0A

3502-D596-0A



3502-D617-0A



AC Load Cell

0146-B020-08



3502-D617-1A



3502-D596-1A

Cardinal Scale's AC series kits provide all the electronics necessary for a truck scale, minus the weighbridge.



SMART CELL[®]

DIGITAL LOAD CELLS

HEAVY-CAPACITY
LOAD CELL
WEIGHING SYSTEMS



ANALOG LOAD CELL

 *Cardinal*[®]
www.CardinalScale.com