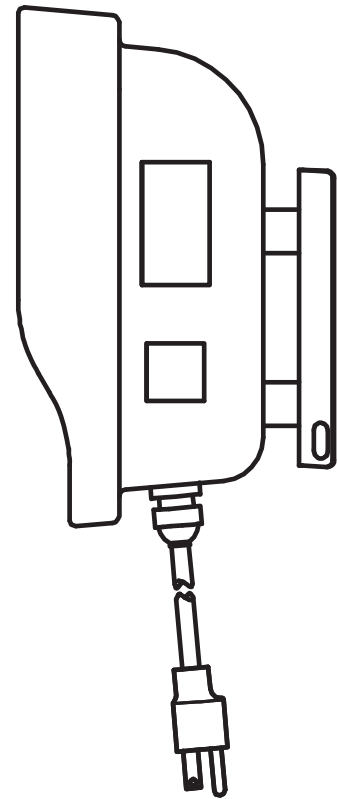


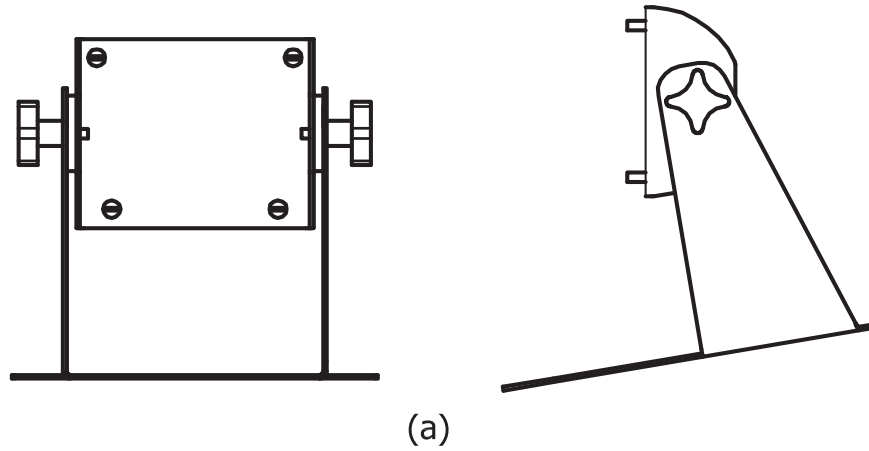
## RD3

- 2" LCD Display
- 1x AC Power Cable
- 1x Serial Input
- 1x Serial Output
- Remote Display

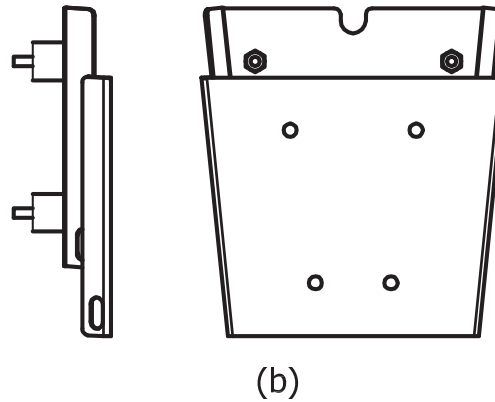


# Option 4 - Mounting

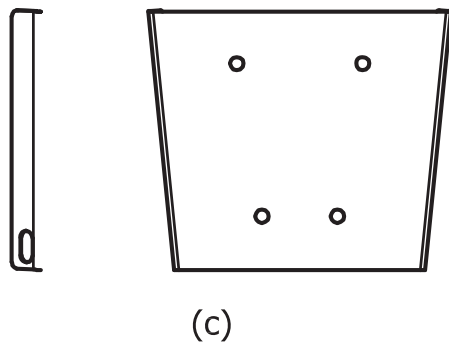
212DESKMOUNT



212VMOUNT



AGVBRCKT  
(extra)



Cardinal Scale reserves the right to improve, enhance or modify features and specifications without prior notice. All registered trademarks are the property of their respective owners.

 **Cardinal**<sup>®</sup>  
Cardinal Scale Manufacturing Co.  
203 E. Daugherty, Webb City, MO 64870 USA  
Ph: 417-673-4631 or 800-441-4237 • Fax: 417-673-5001  
[www.CardinalScale.com](http://www.CardinalScale.com)

**SOLD BY:**