



## STRETCH WRAPPER AND BALER LOAD CELL MOUNTING KITS



**Cardinal Model TB  
Load Cell Kits**

Rapid, accurate weighing translates into optimum performance in any operation, and Cardinal's load cell package helps you reach that goal.

This kit provides you with the latest in weighing technology.

Cardinal's unique load cell assembly is self-aligning and environmentally sealed for those less-than-perfect locations.



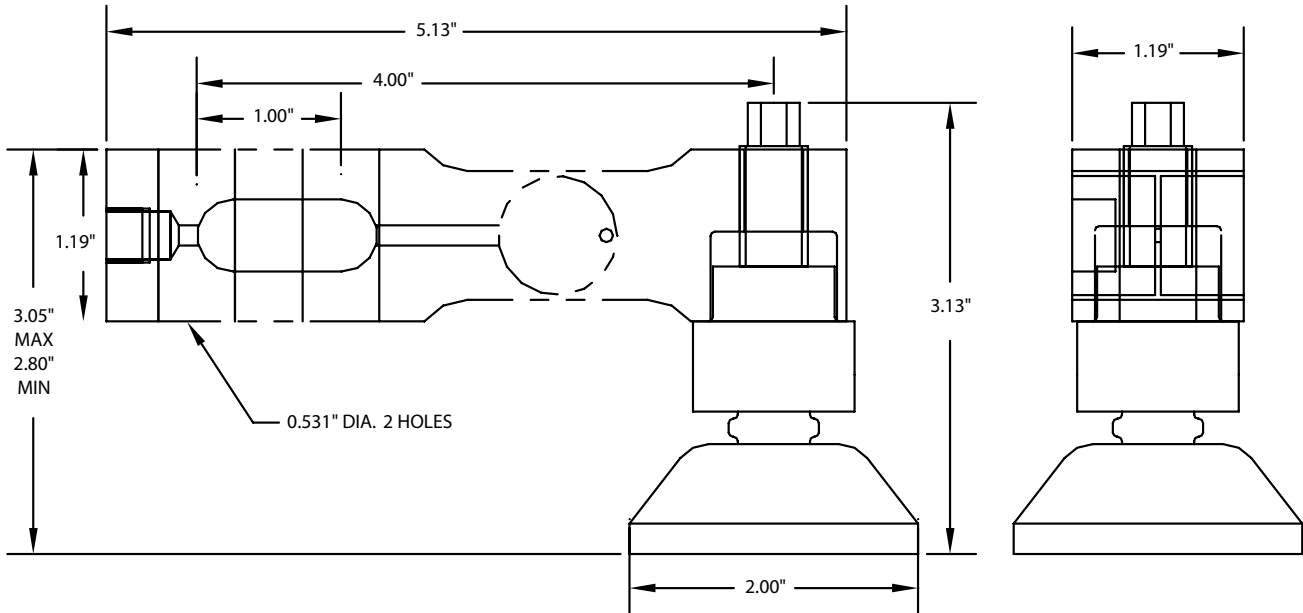
**Cardinal Model SB  
Load Cell Kits**

Great for industrial applications, Cardinal's load cell package is rugged enough for everyday use in the busiest of warehouses. Cardinal's heavy duty load cells mean low maintenance and high performance. Add a Cardinal 200 series indicator and you'll have a weighing system to get the job done accurately and reliably. Our printers are equally flexible in design to meet recording and data processing needs.

# STRETCH WRAPPER AND BALER LOAD CELL MOUNTING KITS

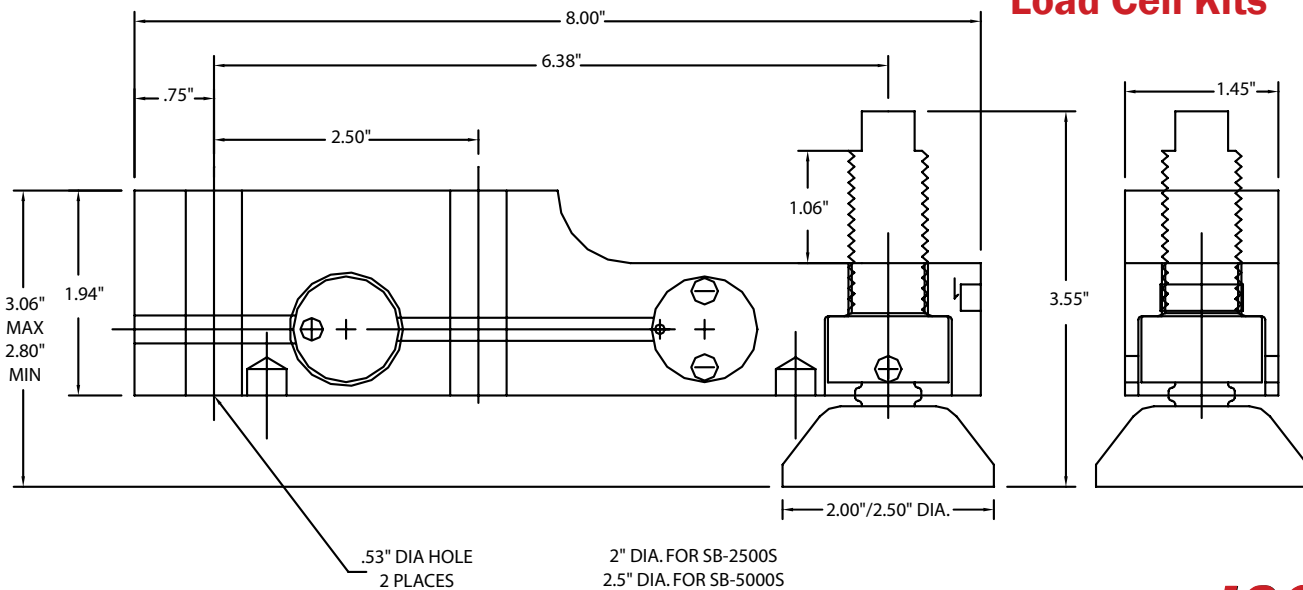
- A complete kit for floor-mounted stretch wrappers, balers, or conveyors.
- Ideal for new or existing installations.
- Easy to install, low-profile design
- Rugged, hermetically-sealed, stainless steel load cells

## Cardinal Model TB Load Cell Kits



Each kit comes complete with 4 load cells, articulating feet, summation junction box, and 25 feet of load cell cable.

## Cardinal Model SB Load Cell Kits



Cardinal Scale reserves the right to improve, enhance, or modify features and specifications without prior notice.



**Cardinal**  
Cardinal Scale Manufacturing Co.  
203 E. Daugherty, Webb City, MO 64870 USA  
Ph: 417-673-4631 or 800-441-4237 • Fax: 417-673-5001  
[www.CardinalScale.com](http://www.CardinalScale.com)

Sold By: